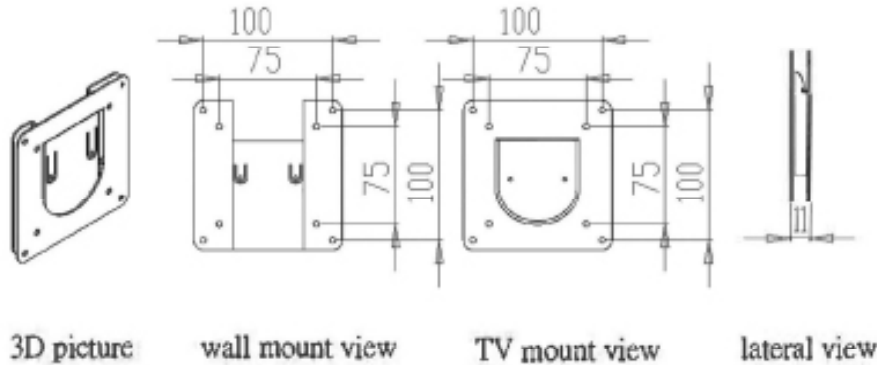


Maximum load-bearing:30KG  
Mark unit: mm



3D picture

wall mount view

TV mount view

lateral view

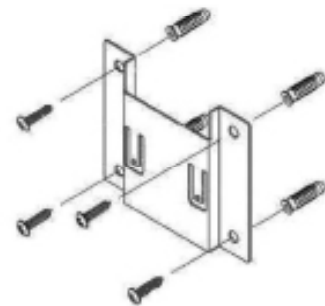
## 10AX Install process:

### Step 1:

Please make sure the thickness of the wall is over 5cm and the material is suitable for installation.

For a wooden wall, please choose wood screws 4pcs .

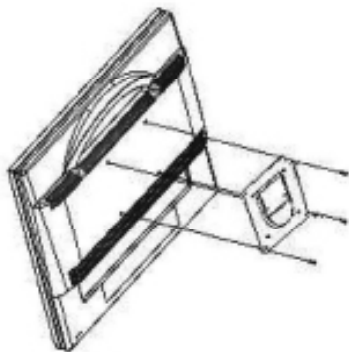
For a concrete wall, please choose wall anchors 4pcs wall Anchor.



### Step 2 :

Remove the TV plug before installation.

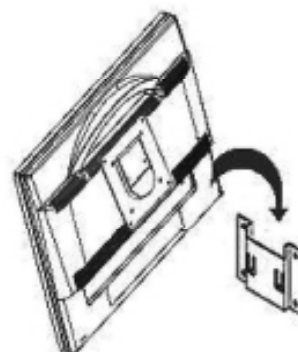
Use the M4X12 screw to fasten the screen mount.






Patent No:097220034

### Step 3 :

Combine the screen mount and the mount of wall and make sure the screen mount fix on the mount of wall.



Invention patent rights reserved

		
M4x8 screw-4	wood screws-4	Wall Anchor-4